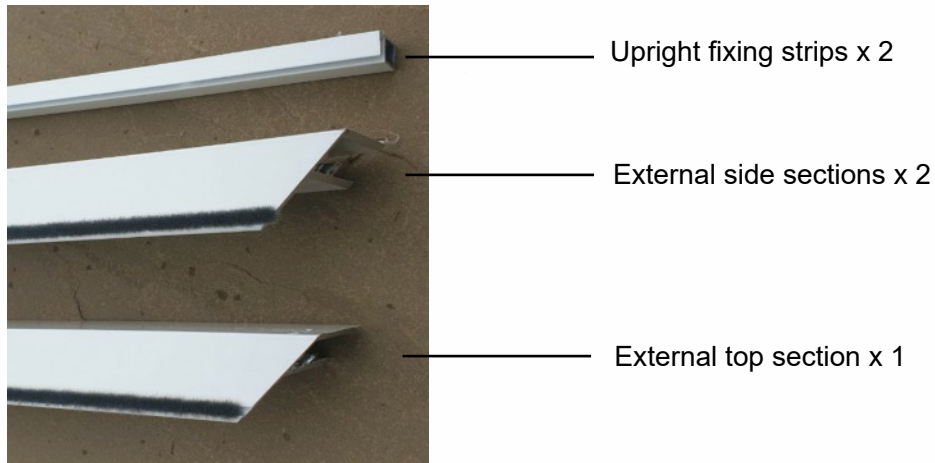




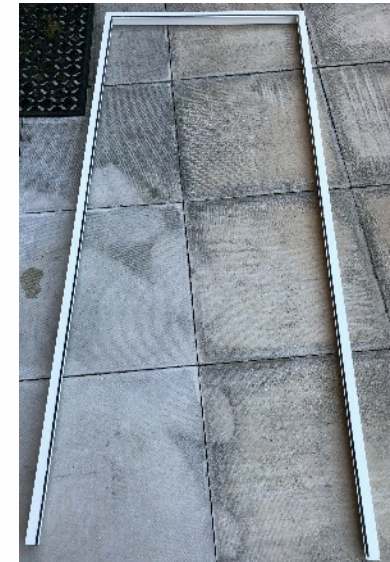
Sub Frame

OPTIONAL SUB FRAME

The sub frame will have 5 sections, 2 upright fixing strips and 3 external frame sections.



1. Place the external frame sections in position on a flat surface and screw the top section to the 2 side sections



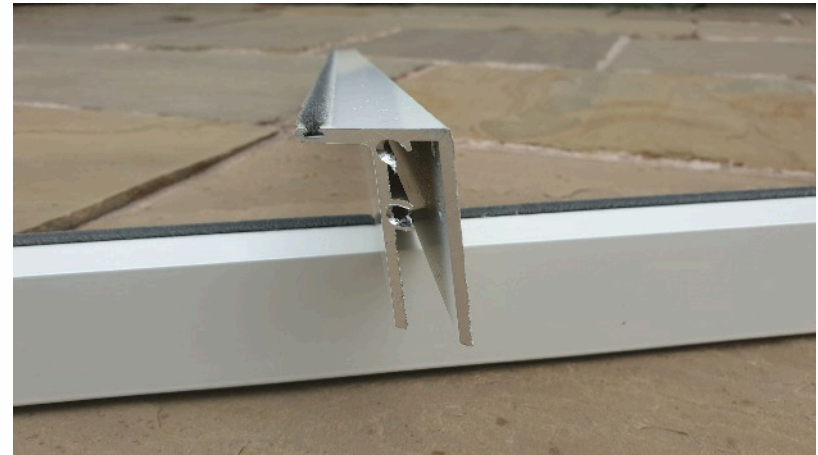
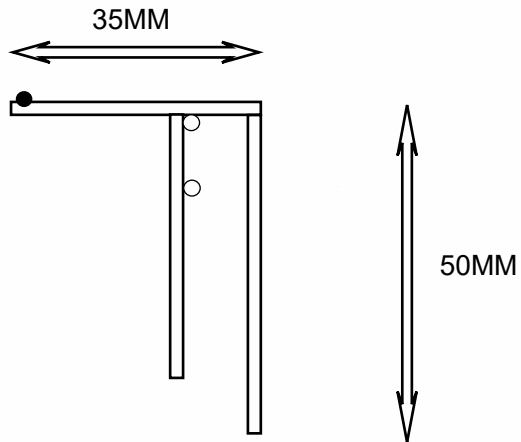
2. Position this frame onto the door frame where you want it to be fixed and make sure it is straight using a spirit level and then mark the upright positions using a pencil

3. Place the upright fixing strips inside the marked line and drill and screw into position making sure that they are vertical



4. Push the external frame onto the uprights, drill and secure with the small screws

Fly screen door sub frame



Aluminium sections finished in white or brown with integral brush pile to create a seal with the fly screen door